

StormKeeper SK31

The StormKeeper family of products are the highest quality and structurally sound stormwater chambers available on the market and meet the full requirements of ASTM F2418. The StormKeeper family of chambers are designed utilizing the most sophisticated and comprehensive techniques to meet the stringent AASHTO LRFD and ASTM requirements. Intended for use under traffic and non traffic areas, StormKeeper provides a truly cost-effective and structurally superior system to provide underground stormwater storage saving valuable land and protecting the environment.



StormKeeper SK31

Nominal Dimensions

Size (L x W x H)	85.4" x 33.9" x 15.9"
Chamber Storage	14.9 cf
Min. Installed Storage	31.1 cf
Weight	32 lbs

StormKeeper SK31 End Caps

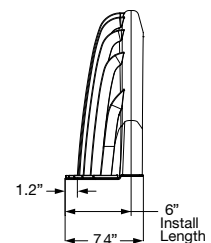
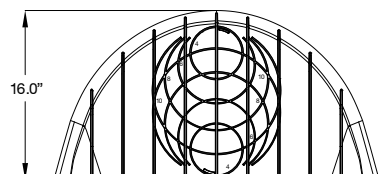
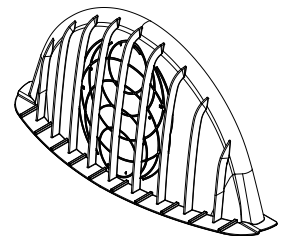
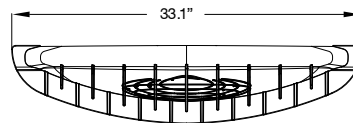
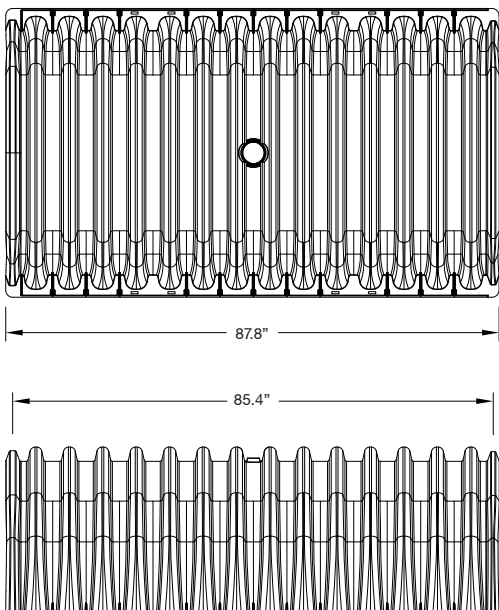
Nominal Dimensions

Size (L x W x H)	7.4" x 33.1" x 16"
End Cap Storage	0.5 cf
Min. Installed Storage	5.3 cf
Weight	3.6 lbs

Shipping

Nominal Dimensions

- 45 chambers per pallet
- 20 end caps per pallet
- 18 pallets per truck



StormKeeper SK31

Volume of Excavation Required Per Chamber/End Cap

	Stone Bedding Depth		
	6"	12"	18"
StormKeeper SK31	2.1 cy	2.2 cy	2.4 cy
StormKeeper SK31 End Cap	.49 cy	.59 cy	.69 cy

Assumes 6" of separation between chamber rows, 12" of perimeter stone in front of end caps and 18" of cover. Should depth of cover exceed 18", the volume of excavation will increase accordingly.

Storage Volume Per Chamber/End Cap

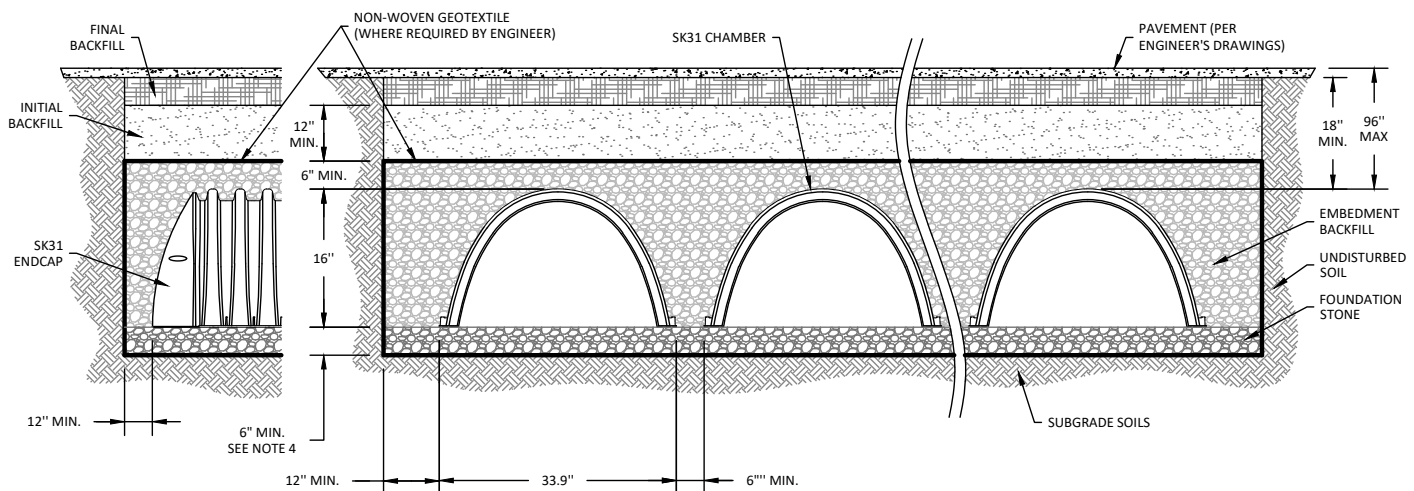
	Chamber Volume Only	Chamber and Stone Volume Bedding Depth		
		6"	12"	18"
StormKeeper SK31	15.0 cf	31.14 cf	35.14 cf	39.14 cf
StormKeeper SK31 End Cap	.47 cf	5.31 cf	6.39 cf	7.46 cf

Assumes 6" stone above chambers, 6" of stone between chambers and 40% stone porosity. End cap volume assumes 12" of stone perimeter.

Amount of Stone Per Chamber/End Cap

	Stone Bedding Depth		
	6"	12"	18"
StormKeeper SK31	2.1 cy	2.6 cy	3.0 cy
StormKeeper SK31 End Cap	.48 cy	.58 cy	.68 cy

Assumes 6" of stone above, 6" row spacing, and 12" of perimeter stone in front of end caps.



MANUFACTURER'S WARRANTY

Lane ensures, certifies and documents that SK31 StormKeeper Stormwater Chambers shipped to the job site meet the above claims and standards, and warrants the product is free of any material or workmanship defects.



Lane Enterprises, Inc.
 3905 Hartzdale Drive, Suite 514
 Camp Hill, PA 17011
 P: 717.761.8175 • F: 717.761.5055
lane-enterprises.com/StormKeeper

Stage vs. Storage for StormKeeper SK31

Depth (in)	Chamber Volume (cf)	Installed Volume (cf)	Depth (in)	Chamber Volume (cf)	Installed Volume (cf)
0		0.00	15	11.40	18.70
1	0.00	0.79	16	12.42	20.10
2	0.00	1.58	17	13.34	21.45
3	0.00	2.37	18	14.16	22.73
4	0.00	3.16	19	14.83	23.92
5	0.00	3.95	20	15.27	24.97
6	0.00	4.74	21	15.50	25.91
7	1.41	6.38	22	15.59	26.75
8	2.79	8.00	23	15.59	27.54
9	4.14	9.60	24	15.59	28.33
10	5.45	11.18	25	15.59	29.12
11	6.72	12.73	26	15.59	29.92
12	7.96	14.27	27	15.59	30.71
13	9.16	15.78	28	15.59	31.50
14	10.31	17.26			

Assumes a void of 40% in the stone. Based on 6" of stone above and below the chambers. Add another 1.12 cubic feet of storage for each inch of additional stone in the foundation.