

STORMKLEENER™

CARTRIDGE FILTER SYSTEM

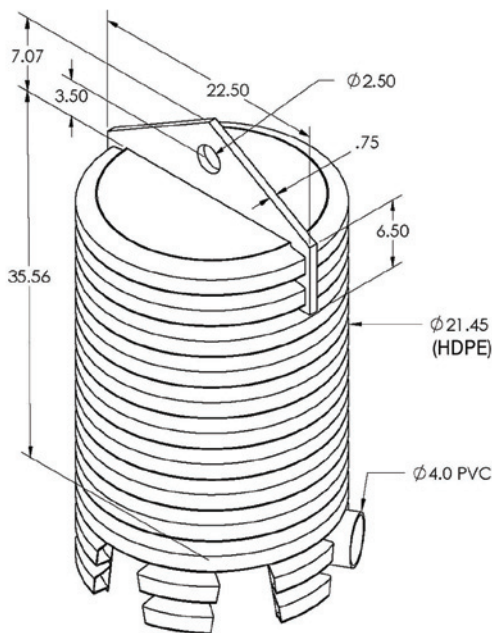
StormKleener™

The Lane StormKleener™ Filter Cartridge System is a storm water treatment device consisting of one or multiple cylindrical media filled cartridges housed in a containment or carrier vessel. The containment vessel can be constructed from any appropriate material including: corrugated metal pipe, plastic pipe, or a reinforced concrete vault. The Lane StormKleener™ Filter Cartridge System is a passive flow-through filtration system that filters and cleans storm water to provide exceptional pollutant removal during storm events, while providing a naturally occurring backwash to enhance and extend the life of the cartridge.

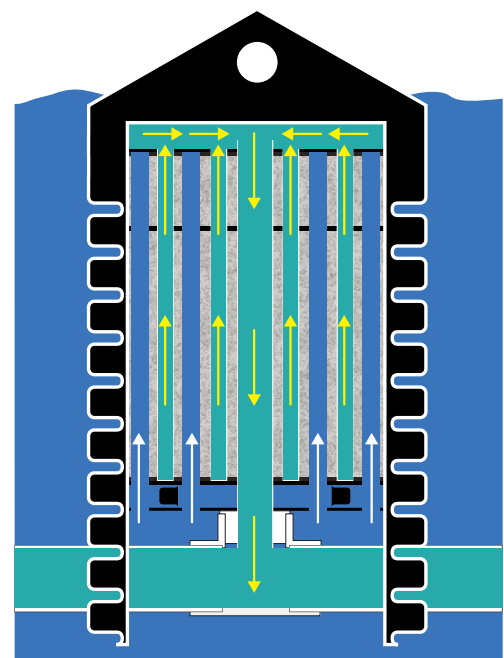
The Lane StormKleener™ Filter Cartridge System has been extensively tested and has completed the New Jersey Corporation for Advanced Technology (NJCAT) testing protocol for filters passing the requirement for over 80% total suspended solid removal.

StormKleener™ Dimensions

Size Height	36.56"
Total Height	43.63"
Diameter	21.45"
Flow Capacity	30 gpm



NOTE: Dimensions are in inches unless otherwise noted.



StormKleener™ Specifications

Components

- Precast Concrete Vault: Shall be manufactured in accordance with ASTM C478, C858, and C1433. Concrete vault shall be provided by Lane Enterprises or Lane approved supplier.
- CMP Vault: Shall be manufactured in accordance with ASTM A760, A762, or B745. CMP vaults shall be provided by Lane Enterprises.
- If PVC manifold piping is required in the structure, all pipe and fittings will meet ASTM D1785. Piping shall be provided to the Contractor pre-cut and partially assembled. Instructions and marking for pipe connections will be included.
- Filter Cartridges: The cartridge shell shall be manufactured from Lane Enterprises' Corrugated Dual wall HDPE pipe and other HDPE components. Each filter cartridge is capable of a flow capacity of 30gpm.
- Filter Media: Filter media shall be Lane Enterprises' Filter media and shall consist of effective particle size of not more than 0.42mm, a hardness of 7, and be 99% silica; with no leaching of nutrients. Media blends may also include perlite, charred wood, activated alumina, and other media as required.

Performance

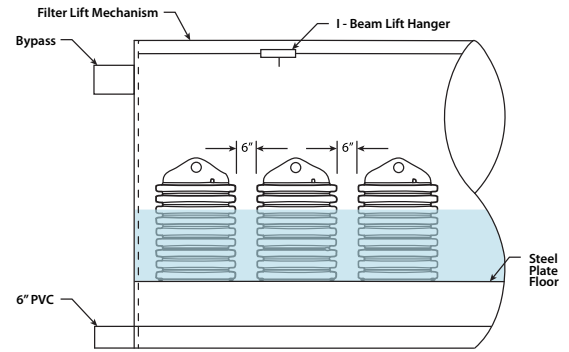
- The Lane StormKleener™ Filter Cartridge System is capable of offline or online treatment and should be designed to treat 100% of the required treatment flow.
- The filter shall have no moving parts.
- The StormKleener™ Filter Cartridge System shall be designed to remove at least 80% of total suspended solids based on testing completed in compliance with the NJCAT Filter testing protocol.
- The StormKleener™ Filter Cartridge System shall be capable of backwashing after storm events to extend the filter life and increase performance. Flow through the filters shall be up flow.

Installation

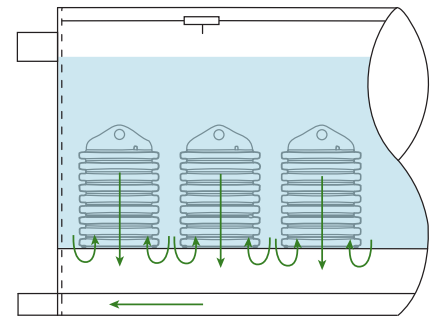
Installation of the StormKleener™ Filter Cartridge System shall be in accordance with Lane Enterprises' installation instructions.

MANUFACTURER'S WARRANTY

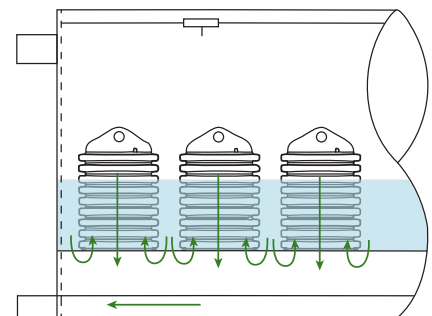
Lane ensures, certifies and documents that StormKleener™ Filter Cartridge System shipped to the job site meets the above claims and standards, and warrants the product is free of any material or workmanship defects.



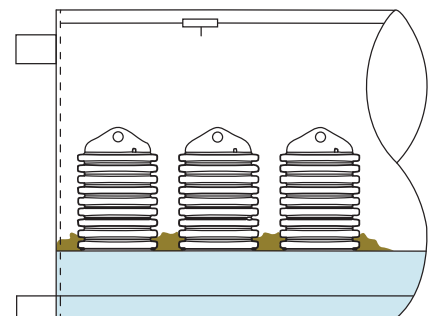
Charging / Filling Operation



Traditional Flow Under Head



Siphon Flow



Siphon Break and Backwash



Lane Enterprises, Inc.

3905 Hartzdale Drive, Suite 514

Camp Hill, PA 17011

P: 717.761.8175 • F: 717.761.5055

lane-enterprises.com/StormKleener

© 2018 Lane Enterprises

MC-05/18-AA